

Diamond Selector III Cultii

Ref: 47-640-100 **Made in Japan**



The most reliable diamond tester just got smaller! Fitting a diamond tester into your pocket, case or sales bag is now much easier with

the Cultii III, sized at a tiny 85mm x 54mm x 14mm.

- Capable of testing Loose stones, stones set in rings, pendants, earrings, etc.
- Test any size from 0.02 carat up.
- 2-way indication. By a sound signal as well as a change in colour indicator
- Metal alert. A high trill warns when the probe tip touches metal.
- White sapphire, even hard-to-evaluate white corundum and Y.A.G can be inspected.

Prestige Series II Diamond Tester

Ref: 47-630-000

This well-designed USA made Diamond Tester has all the features of more expensive testers, at an every-day economy price.



Features include:

- Test any size gem from 0.02ct whether set in jewellery or loose
- 2 way indication by light display and "beep" sound to tell you when it is a diamond.
- Metal detector, sound indicator to advise if probe is touching the ring.
- Auto switch off after 60 seconds
- 9volt battery and loose stone holder included.

Synthetic Moissanite - This simulant, like diamond is a good conductor of heat and will read as a diamond on thermal testers so a different testing method is required. Synthetic Moissanite is doubly refractive, for larger stones a good loupe may be all you need. For quick analysis of loose stones test liquid can help while the electronic Multi Testers are both fast and provide an image of professionalism.

Diamond Wizard Multi Stone Tester

Ref: 47-635-000

The Diamond Wizard is a unique high-tech digital instrument. All of its operations are controlled by the latest computerized microprocessor with superior surface mount technology. This tester will test for Diamonds, Simulant, Synthetic Moissanite & Metal. It also features a high intensity LED Light to better illuminate a diamonds internal characteristics.



- Separate real Diamonds from traditional Simulants and Synthetic Moissanite.
- Fast start up.
- Instant test recovery.
- Will recognize any size and any resistance of moissanite stones.
- Will operate in temperatures from 15°C to 40°C.
- Automatic Shut off.
- Audible beep will sound when test is complete.

Presidium Multi Tester

Ref: 47-709-000

Presidium's Multi Tester is one of the few Testers that can reliably test both Diamond and Moissanite as well as simulants and metal. This tester features the latest technology combining principals of thermal and electrical conductivity from the company that invented and sets the standard for top quality gem equipment.

Operated by batteries or mains power this tester features a Presidium patented retractable tip no waiting time between tests and a clear display for Diamond, Moissanite, simulants and Metal.



Pocket size:
160mm Long
42mm Wide
22mm Thick

Weight:
97 grams
with batteries

Diamond Nite - Multi Tester

Ref: 47-631-000



DiamondNite is a highly accurate, one step dual tester. This new revolutionary design is unmatched in combined performance and ease of use with the entire test taking only ONE second. You then know for sure if its a genuine diamond, a synthetic moissanite or other diamond simulant. Powered by a 9volt alkaline battery, the DiamondNite is supplied complete with a holder for testing loose stones and easy to follow instructions. Features: • 2 way indication by light display and sound. • Metal detector, sound indicator to advise if probe is touching the ring. • Battery saver alarm.

Presidium Gem Tester/Colour Stone Estimator

Ref: 47-700-000

This instrument can not only verify diamonds but is also capable of identifying colour stones such as Ruby, Sapphire, Topaz, Spinel, Peridot, Garnet, Tourmaline, Iolite, Aquamarine, Emerald, Quartz, Amethyst, Citrine. It operates on two AA size batteries or A/C adaptor.

Built-in metal detector buzzes when the probe accidentally touches metal. This unit also features the unique Presidium Test Disc.

Weight: 340g

Dimensions: 175mm x 75mm x 75mm

(It cannot distinguish between natural and synthetic stones)



Replacement Pen Probe - Ref: 47-700-001

Diamond Tester Scratch Pen

Ref: 47-455-000

With genuine diamond point. Scratch diamond lightly- if a scratch appears, it is not genuine. As a scribe, can be used on any metal, glass, plastic, precious and semi-precious stones - and any rigid material.



Stone Holder Display Ring

Ref: 39-106-000

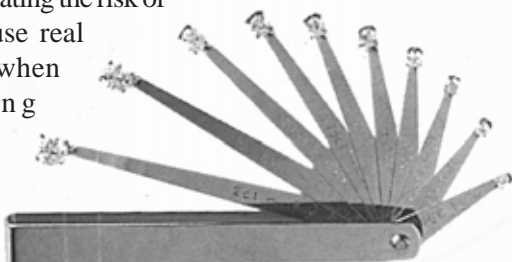
Made in white or yellow metal. It shows the customer how the stone will look when it is mounted. Can display stones 0.5ct to 2.5ct



Diamond Seller

Ref: 36-365-000

Ten round cubic zirconia, ranging from 0.10 to 2.0 ct are mounted on stainless steel, fan-folding arms. The size of the diamond in carats and mm's are shown on each arm. The accuracy aids the jeweller in making the sale while eliminating the risk of having to use real diamonds when discussing stone sizes with the customer.



GemOro Jewellers Microscopes

GemOro Elite 1030

Ref: 47-130-000

Continuing the tradition of producing the highest quality, full precision microscopes, with the introduction of the Elite Series by GemOro. Offering more features than competing models, and at a cost of hundreds of dollars less. The value of the Elite Series is unsurpassed.

Dioptic adjustment +/-5 on one ocular

360° Rotating Head



Features include:

- 10x and 30x magnification (1x and 3x objective with 10x Eyepieces)

- True professional "Tungsten Halogen" upper lighting

- Superior Japanese optics

- Professional "Darkfield / Brightfield" illumination with "Sliding Baffle"

- Adjustable "Iris Diaphragm" controls the width of the lower light
- Clear view Gem Clip included

- Comfort eye guards • Dust cover • 2 year warranty.



GemOro Elite 745

Ref: 47-135-000

GemOro have chosen a contemporary European designed body for their Elite range of microscopes to create an attractive functional instrument that may be relied on for many years.

Dioptic adjustment +/-5 on one ocular tube

360° Rotating Head



Features include:

- Zoom 7x to 45x magnification - stays in focus through all magnifications

- Variable rheostat controls "Tungsten Halogen" upper and lower lighting

- Superior Japanese optics • Professional "Darkfield / Brightfield" illumination with "Sliding Baffle"

- Adjustable "Iris Diaphragm" controls the width of the lower light
- Clear view Gem Clip included

- Comfort eye guards • Dust cover • 2 year warranty

Diamond Colour Grading Sets

10 Stones 1/2 Carat Size

Ref: 47-662-000

Contains 10 cubic zirconia in the colour range of E,F,G,H,I,J,K,L,M,N, which enables you to compare the colour of mounted or unmounted diamonds easily. Stones are graded against G.I.A. diamond masters. Colour grading is now safer and less costly since it is no longer necessary to use actual diamonds for this purpose. Certified & registered CZ Master Set. Each stone has its own Gran colourimeter ID number. Ideal as a diamond selling tool or for use in the jewellers grading process. Supplied with 1x white and 1x yellow, 4-claw metal ring to hold and display loose gems.



5 Stones 1/2 Carat Size

Ref: 47-664-000

5 Stone GemOro Colour Grading Set, contains 5 Cubic Zirconias in the colour range of E, G, I, K and M with all the features above but with only 5 stones.



We can order-in the GemOro Professional Colour Grading Set Case only for your existing set.

GemOro Loupes



All GemOro loupes feature high quality Hastings Triplet Lens. 3 bonded aplanatic and achromatic colour corrected lenses with blackened outer edge to eliminate colour distortion.

Available in 10x, 14x and 20x.

For more details

See **Magnifiers p81** - pocket and eye loupes.

Colour Grading Lights



Desk-Top

Ref: 47-163-000

As you would expect from Kruss, this essential piece of gemological equipment has been produced to provide excellent value for money. The stylish lines present a professional appearance while the functionality provides for many years of easy use.

Mains powered desk-top unit with twin 6 volt daylight tubes.

Fold-Away

Ref: 47-110-900

Deliver the right colour light on your office desk, in the showroom or when visiting a client. This mains powered, compact, well designed lamp features a daylight 6000 Kelvin, 9 watt fluorescent tube. Switch off the light and swing the shade down to fold away. The solid, weighted base provides stability. Weight: 1.4Kg
Open Size: 90mm wide x 270mm high x 300mm deep.

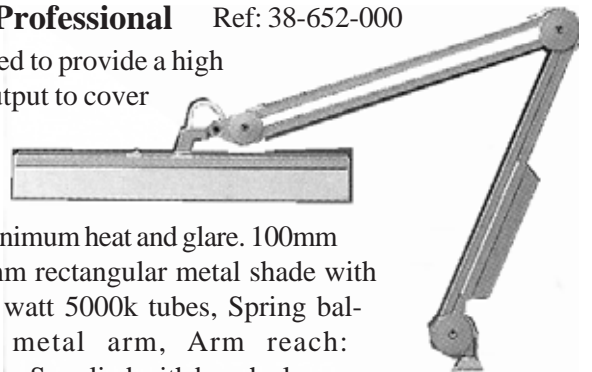


KFL Professional

Ref: 38-652-000

Designed to provide a high light output to cover

a broad area with minimum heat and glare. 100mm x 470mm rectangular metal shade with 2 x 15 watt 5000k tubes, Spring balanced metal arm, Arm reach: 1070mm. Supplied with bench clamp.



The Diamond Selection Guide

Will Help Increase Your Diamond Sales

Ref: 47-665-000

Professionally and conveniently help your customer and sales people understand the 4C's of diamond buying and selling. The system features the GemOro five stone 1.00 carat diamond size CZ Master Set to demonstrate diamond colour. Then, by using actual premium CZ's cut in an array of the most popular shapes and sizes, show diamond Cut and Carat weight. To further explain Colour, Cut and Carat weight in easy to understand terms, a Display Booklet is provided which also contains exclusive photographs of diamonds defining the various Clarity grades. Tweezers and Stone display rings in white and yellow gold colour complete the set. A clear lid covers each section of CZ's to ensure all pieces are in their correct position each time the guide is opened for a client.



Also available with 10 stone CZ Master set Ref: 47-666

Refractometers

Professional Refractometer



Ref: 47-013-000 This compact high quality refractometer has been built to provide years of trouble-free service to the Professional Gemologist. Quality optics provide a large field of view over a clear easy to read scale. Supplied with a light source (plug into 240v), Polarising Filter, Refractive Index Fluid and a solid foam lined Plastic Carry/Storage Case to protect the instrument when not in use.



Student Refractometer Ref: 47-012-000

Kruss now offer a precision instrument in an economy version. Gemological Students will find this refractometer easy to read with the high quality optics and clear uncluttered scale. It is supplied complete with light source (plugs into 240v) The completely removable flip-down lid has a threaded filter holder so you can store the polarising filter when not in use.



Complete with R.I fluid

Refractive Index Fluid

Ref: 47-050-000 30mL bottle of R.I. Fluid Nd. 1.79
(If crystals have formed in the liquid, gently warm the bottle - in your hand - to dissolve the crystals)



Diffraction Grating Spectroscope

Ref: 47-105-000

The Diffraction Grating Spectroscope is designed to produce an absorption spectrum, by splitting the light that has passed through a gemstone into the spectral colours. The resultant spectrum can be studied for areas where colour is missing and compared to previously prepared charts that indicate what elements are present and of which gemstones this is characteristic. The spectrum is caused by a thin slice of a Diffraction Grating, aided by a small lens and a solid, angled eye piece.



Chelsea Colour Filter Ref: 47-400-000



Called the Emerald Filter. Pocket type, valuable aid for testing synthetic emeralds rubies and other gemstones. Complete with instructions.

Ruby Filter Ref: 47-405-000

The Ruby Filter, like the Chelsea Filter is designed to assist in identifying gems by observing their colour characteristics through a



coloured filter.

Polariscope



Ref:47-310-000

Useful at take-in counter, a must for gem identification.
-Determine single/double refraction, optic character and pleochroism. -Detects strains in diamonds. -50mm diameter rotating analyzing filter - Built-in light.



UV Lamp & Box Ref: 47-155-000



-For analysing fluorescence in diamonds and coloured stones, oil in emeralds and phosphoresences in opal.
- May be used without the cabinet to scan bulk gems.
Short Wave: 254nm, 4 watts

Long Wave: 366nm, 4 watts

Box Size: 263 x 300 x 250mm

Illuminated switch for each wavelength.



Avoid eye damage! Do not look at shortwave light.

Gem Dichroscope Ref: 47-116-000



Small 22 x 16mm but very effective. For hand held use.

Quick method of detecting pleochroic colours in coloured gemstones.

Diamond Inscription Viewer Ref: 38-175-000

This consumer friendly tool allows for easy identification of laser inscribed diamonds. The Focus mechanism is on the footring so the gem stays in focus when handed to you client. Rotating Ring Pad for easy operation. Instructions included.



Hearts and Arrows Scope

Ref: 38-170-000 Use when buying gems or as a sales tool to show your clients the accuracy of cut in the diamonds used in your jewellery.

The base is reversible to allow placing the gem table up or table down. If the cut is perfect you will see 8 hearts with table down and 8 arrows when table is up



Diamond and Sweeps Shovels



Hand made, well finished.
 Ref: 39-655-000 No. 1
 Ref: 39-660-000 No.
 Ref: 39-665-000 No. 3
 Ref: 39-700-000 With handle

Stone Sorting Trays

For sorting Diamonds, Colour Stones, Pearls, etc.

Black

Ref: 39-605-000 100 x 65mm
 Ref: 39-640-000 160 x 95mm

White

Ref: 39-615-000 100 x 65mm
 Ref: 39-620-000 160 x 95mm
 Ref: 39-590-000 80mm triangular.



Parcel Papers

Folded size 75 x 44mm

Ref: 39-264-000 White outer / Black inner.
 Ref: 39-266-000 White outer / 2 White inner
 Ref: 39-268-000 White outer / 1 Blue and 1 White inner
 Ref: 39-300-000 Flutes Blue.
 Ref: 39-280-000 White outer / White inner 90 x 50mm
 Ref: 39-270-000 White outer / 2 Blue inners



Parcel Paper Boxes

Ref: 39-460-000
 Leather covered box,
 with two press buttons.
 245 x 100 x 50mm

Ref: 39-455-000
 Leather covered box,
 with zip. 180 x 100 x 60mm



Gem Gauges - see *Gauges page 69 and 70*

Gemstones of the World

REVISED and EXPANDED EDITION by Walter Schumann Ref: 46-101-000

The definitive guide to gems for over 20 years takes the mystery out of appreciating, buying and selling all kinds of gems. Includes sections on;

- Finding mining and cutting
- Precious and Semiprecious Stones
- 1,500 photos of gems in rough and polished states
- Terminology
- Complete physical properties and characteristics



Gem Tweezers

Stone Lock - 160mm



Ref: 28-506-000 Bright Stainless Steel 0.9mm
 Ref: 28-506-100 Black Stainless Steel Tips



Economy Ref: 28-220-000 Plain Stainless Steel

Fine Stone - 160mm, 0.9mm Tips



Ref: 28-502-000 Bright Stainless Steel
 Ref: 28-502-100 Black Stainless Steel

High quality Swiss hardened stainless steel tweezers, extra-sensitive with ridged inside tips.



Economy Ref: 28-205-000 Polished Steel
 Ref: 28-230-000 Black finish to enhance diamond visibility.

Diamond Groove - 160mm, 1.2mm Tips



Ref: 28-505-000 Bright Stainless Steel



Heavy Point Stone 165mm

Ref: 28-310-000



Stone-Scoop 185mm

Ref: 28-215-000 Stainless steel economy



Pearl / Bead 145mm



Ref: 28-509-000 Stainless steel tweezer with Teflon coated cup shaped tips to hold pearls and other round gems.



Gem Grabber 115mm Ref: 28-810-000

Four Prongs, for gripping and holding small objects such as diamonds, shells, etc. Wire jaws retract back into handle when not in use.



Gem Boxes

Gem Pods - 28mm square
 30mm round

Glass top presentation boxes

Gem trays, Gem Cases

All these and more are shown in our Display and Packaging Catalogue available in colour on CD and Website www.ajsonline.com or black and white **Printed Catalogue**

